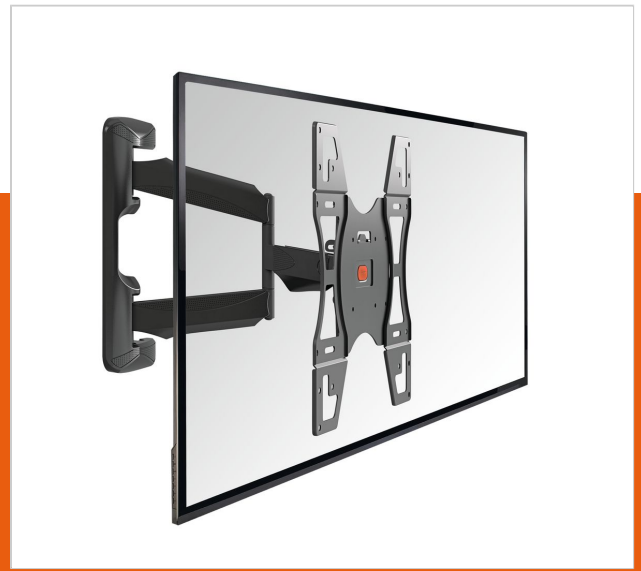




BASE 45 M Full-Motion TV Wall Mount

Article number (SKU)
Colour

8343245
Black



Key Benefits

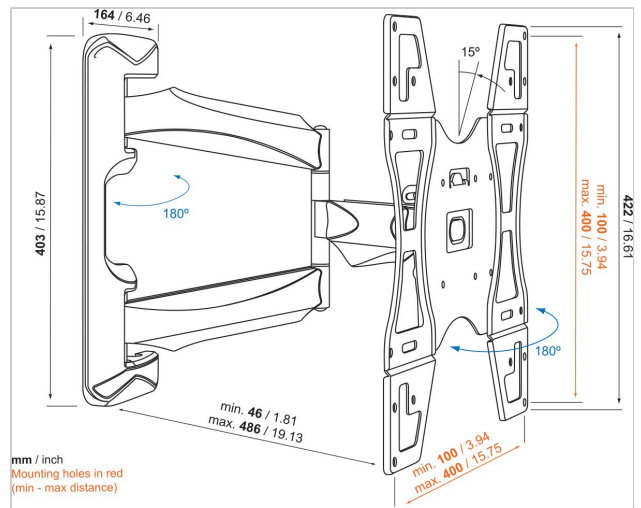
- Strong and Simple: solid, secure solutions to mount your TV

For TVs up to 55 inch (140 cm)

BASE 45 M is a durable TV wall mount, suitable for 32 to 55 inch (81 to 140 cm) TVs weighing up to 30 kg (66 lbs). Extra wide angle of rotation for an excellent viewing experience! The BASE 45 M has an extra-wide turn angle of up to 90 degrees left or right. That means you can get the perfect viewing angle from anywhere in the room, and possibly even from adjacent rooms. You can fold it flat against the wall when you're not watching TV, for the best of both worlds.

The BASE series: strong and simple

By choosing a BASE series wall mount, you choose a solid, secure solution for mounting your TV on the wall. A sturdy lock release feature clicks your TV safely into the bracket. Mounting the BASE 45 M is easy, as it comes with clear mounting instructions and all the mounting materials you need.





BASE 45 M Full-Motion TV Wall Mount

www.vogels.com

VOGEL'S HOLDING BV 2019 (c) All rights reserved.
Subject to printing errors, technical and price amendments.
Date: 2019-02-13

Specifications

Product type number	BASE 45 M
Article number (SKU)	8343245
Colour	Black
EAN single box	8712285324284
Product size	M
TÜV certified	Yes
Tilt	Tilt up to 15°
Turn	Full motion (up to 180°)
Guarantee	Lifetime
Min. screen size (inch)	32
Max. screen size (inch)	55
Max. weight load (kg)	30
Min. hole pattern	100mm x 100mm
Max. hole pattern	400mm x 400mm
Max. bolt size	M8
Max. height of interface (mm)	422
Max. width of interface (mm)	427
Cable management	Integrated cable management
Max. distance to the wall (mm)	486
Min. distance to the wall (mm)	46
Product group	Tv mount turn
Service position	False
Spirit level included	False
Universal or fixed hole pattern	Universal
What's in the box	<ul style="list-style-type: none"> • Mounting instructions

Product line

- TV mounting kit
 - Wall mount
 - Wall mounting kit
- BASE

