



BASE 45 S Full-Motion TV Wall Mount

Article number (SKU)
Colour

8343145
Black



Key Benefits

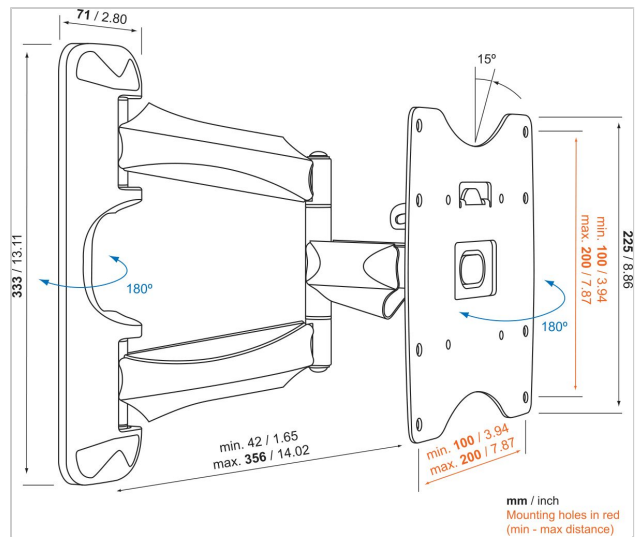
- Strong and Simple: solid, secure solutions to mount your TV

For TVs up to 43 inch (109 cm)

BASE 45 S is a durable TV wall mount, suitable for 19 to 43 inch (48 to 109 cm) TVs weighing up to 15 kg (33 lbs). Extra-wide turn angle for a great view The BASE 45 S has an extra-wide turn angle of up to 90 degrees left or right. That means you can get the perfect viewing angle from anywhere in the room, and possibly even from adjacent rooms. You can fold it flat against the wall when you're not watching TV, for the best of both worlds.

The BASE series: strong and simple

By choosing a BASE series wall mount, you choose a solid, secure solution for mounting your TV on the wall. A sturdy lock release feature clicks your TV safely into the bracket. Mounting the BASE 45 S is easy, as it comes with clear mounting instructions and all the mounting materials you need.





BASE 45 S Full-Motion TV Wall Mount

www.vogels.com

VOGEL'S HOLDING BV 2019 (c) All rights reserved.
Subject to printing errors, technical and price amendments.
Date: 2019-02-13

Specifications

Product type number	BASE 45 S	
Article number (SKU)	8343145	
Colour	Black	
EAN single box	8712285324208	Product line
Product size	S	
TÜV certified	Yes	
Tilt	Tilt up to 15°	
Turn	Full motion (up to 180°)	
Guarantee	Lifetime	
Min. screen size (inch)	19	
Max. screen size (inch)	43	
Max. weight load (kg)	20	
Min. hole pattern	100mm x 100mm	
Max. hole pattern	200mm x 200mm	
Max. bolt size	M8	
Max. height of interface (mm)	225	
Max. width of interface (mm)	236	
Cable management	Integrated cable management	
Max. distance to the wall (mm)	356	
Min. distance to the wall (mm)	42	
Product group	Tv mount turn	
Service position	False	
Spirit level included	False	
Universal or fixed hole pattern	Universal	
What's in the box	• Mounting instructions	

- TV mounting kit
 - Wall mount
 - Wall mounting kit
- BASE

