



## BASE 15 S Tilting TV Wall Mount

Article number (SKU)  
Colour

8343115  
Black



### Key Benefits

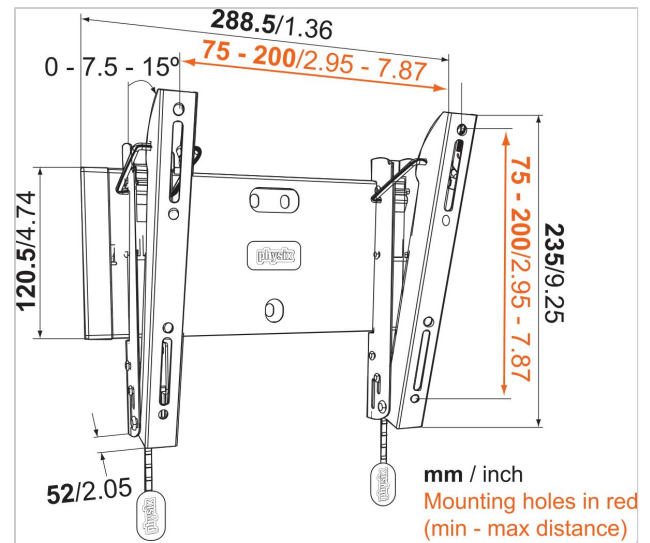
- Lock your TV securely in place
- Strong and Simple: solid, secure solutions to mount your TV
- Tilt (up to 15°) to avoid reflections

### For TVs up to 43 inch (109 cm)

The BASE 15 S is a durable TV wall mount, suitable for 19 to 43 inch (48 to 109 cm) TVs weighing up to 20 kg (44 lbs). Tilt your TV for a great viewing angle. With the BASE 15 S, you can tilt your TV forward up to 15 degrees to get a great viewing angle. That means you can mount your TV higher up on the wall - saving even more space without sacrificing your TV watching experience.

### The BASE series: strong and simple

By choosing a BASE series wall mount, you choose a solid, secure solution for mounting your TV on the wall. A sturdy lock release feature clicks your TV safely into the bracket. Mounting the BASE 15 S is easy, as it comes with clear mounting instructions and all the mounting materials you need. Need to tuck your TV away even further? Mount it in a corner to save even more space. Check out our full-motion TV wall brackets, perfect for any corner of the room.





## BASE 15 S Tilting TV Wall Mount

[www.vogels.com](http://www.vogels.com)

VOGEL'S HOLDING BV 2019 (c) All rights reserved.  
Subject to printing errors, technical and price amendments.  
Date: 2019-02-13

## Specifications

Product type number	BASE 15 S
Article number (SKU)	8343115
Colour	Black
EAN single box	8712285324161
Product size	S
TÜV certified	Yes
Guarantee	Lifetime
Min. screen size (inch)	19
Max. screen size (inch)	43
Max. weight load (kg)	20
Min. hole pattern	75mm x 75mm
Max. hole pattern	200mm x 200mm
Max. bolt size	M8
Max. height of interface (mm)	243
Max. width of interface (mm)	288
Min. distance to the wall (mm)	52
Product group	Tv mount tilt
Service position	False
Spirit level included	False
Universal or fixed hole pattern	Universal
What's in the box	<ul style="list-style-type: none"> <li>• Mounting instructions</li> <li>• TV mounting kit</li> <li>• Wall mount</li> <li>• Wall mounting kit</li> </ul>
Product line	BASE

