

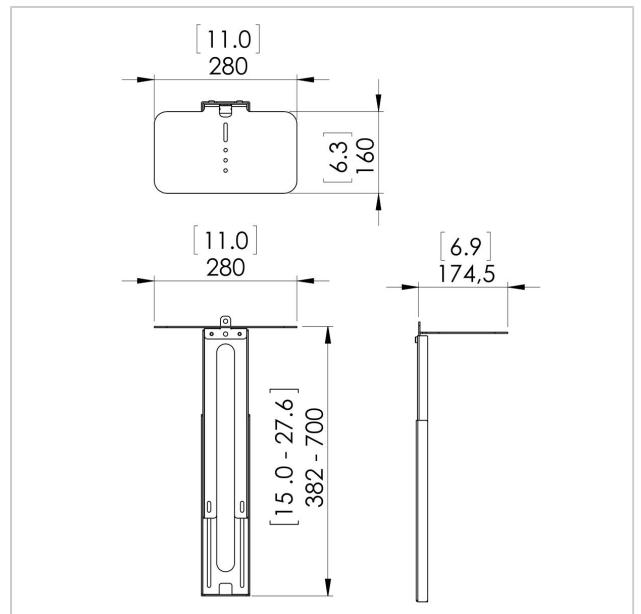


PVA 5070 AV support

Article number (SKU) 7015070
Colour Black

With the Vogel's PVA 5070 a video conferencing camera and/or a loudspeaker can be mounted on any Connect-it interface bar. Therefore PVA 5070 can be used for any Connect-it floor, ceiling or wall solution. For example, the PVA 5070 is suitable for all Vogel's video conferencing furniture and Connect-it floorstands and trolleys.

The camera or loudspeaker can be positioned above or below the display. Use 2 x PVA 5070 to mount both a camera and a loudspeaker. This holder can also be positioned off-center, making it a very flexible solution. For example, when using two displays it can be positioned above and/or below the left or right display, or in the centre. The PVA 5070 can be used for displays from 55 to 90 inch. For smaller displays we advise to use the PVA 5050.





PVA 5070 AV support

www.vogels.com

VOGEL'S HOLDING BV 2019 (c) All rights reserved.
Subject to printing errors, technical and price amendments.
Date: 2019-05-17

Specifications

Product type number	PVA 5070
Article number (SKU)	7015070
Colour	Black
EAN single box	8712285329104
Height	382
Depth	174
Guarantee	5 years
Max. weight load (kg)	10
Max. screen size (inch)	90
Min. screen size (inch)	55